

TELESCOPIC TRUCK MOUNTED PLATFORM SPECIFICATION

CTEB-LIFT 150 HY

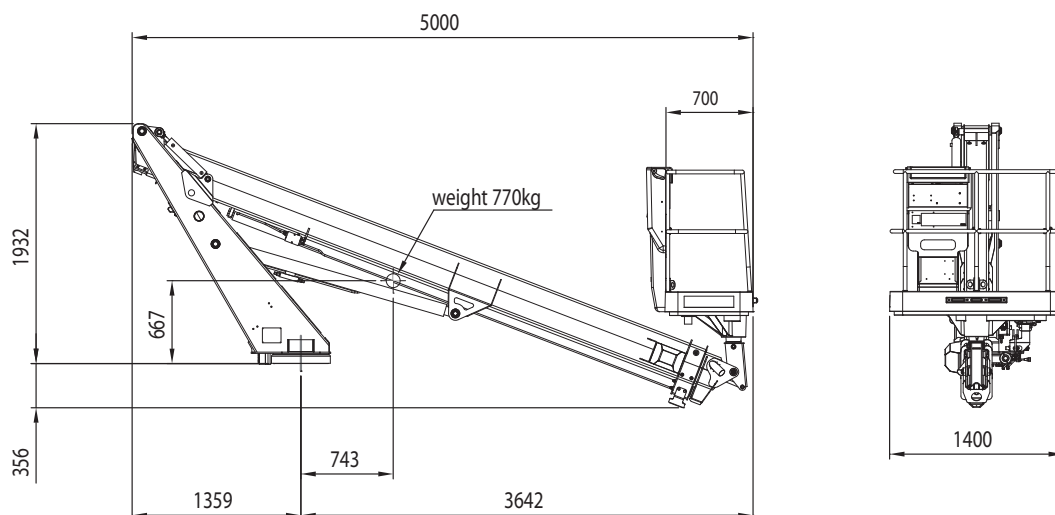
TECHNICAL DATA

- Telescopic boom
(2 elements: main boom + 1 telescopic extension)
- $\pm 360^\circ$ turret rotation on bearing turntable
- Fully proportional hydraulic controls in the basket
- Hydraulic controls installed on the turntable
- Outreach controlled by an hydraulic limit switch
- Engine start/stop control from the basket
- Available with aluminium basket or standard glass filled nylon base
- 60° right + 60° left hydraulic rotating basket
- Basket levelling by hydraulic parallelogram
- Emergency manual pump
- Nr. 04 hydraulic outriggers HS type (straight down)
- Basket dimension: 1400x700x1100 mm
- Internally installed electrical and hydraulic hoses
- 100 Lt. oil tank

AVAILABLE OPTIONS

- 12V or 24V electric system
- Working light in the basket
- 230V AC electric socket in the basket

DIMENSIONS



CTE S.p.A.

Headquarter 7 Via Caproni - Rovereto (TN) IT, 38068

Ph. +39 0464 48.50.50 - info@ctelift.com - www.ctelift.com

Factory 5 Loc. Terramatta - Rivoli Veronese (VR) IT, 37010

2 Via E. Fermi - Affi (VR) IT, 37010

CTE UK Ltd Enderby Leicestershire - UK

TELESCOPIC TRUCK MOUNTED PLATFORM SPECIFICATION

CTEB-LIFT 150 HY

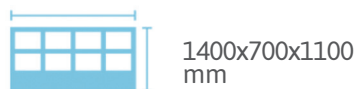
PERFORMANCE



15 m*



250 kg



1400x700x1100 mm



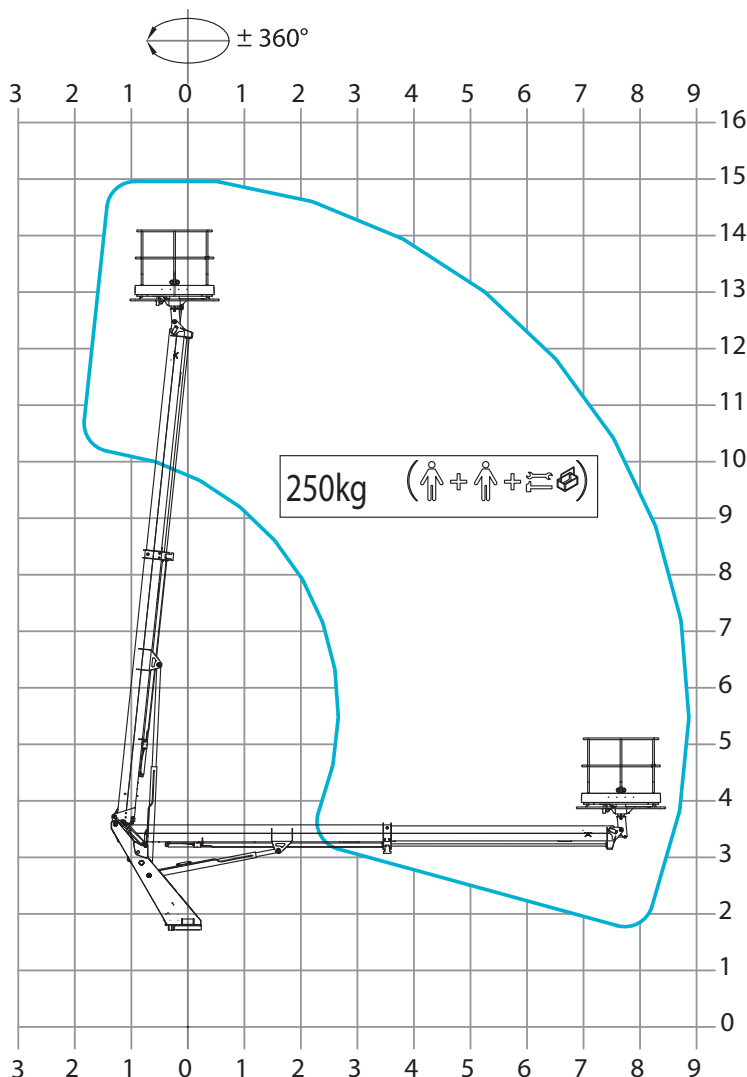
9 m*



13 m

GVW min 5 t

WORKING ENVELOPE



* outreach and height max values and repeatability can change within $\pm 3\%$ due to manufacturing variation and working condition.

Product specifications are subject to change without notice or obligation. Technical features and drawings in this brochure are for illustrative purposes only. B-LIFT 150 HY - ed. 04/22



CTE S.p.A.

Headquarter 7 Via Caproni - Rovereto (TN) IT, 38068
Ph. +39 0464 48.50.50 - info@ctelift.com - www.ctelift.com
Factory 5 Loc. Terramatta - Rivoli Veronese (VR) IT, 37010
 2 Via E. Fermi - Affi (VR) IT, 37010

CTE UK Ltd Enderby Leicestershire - UK

