

# TELESCOPIC TRUCK MOUNTED PLATFORM SPECIFICATION

## **CTEB-LIFT 187 HY**

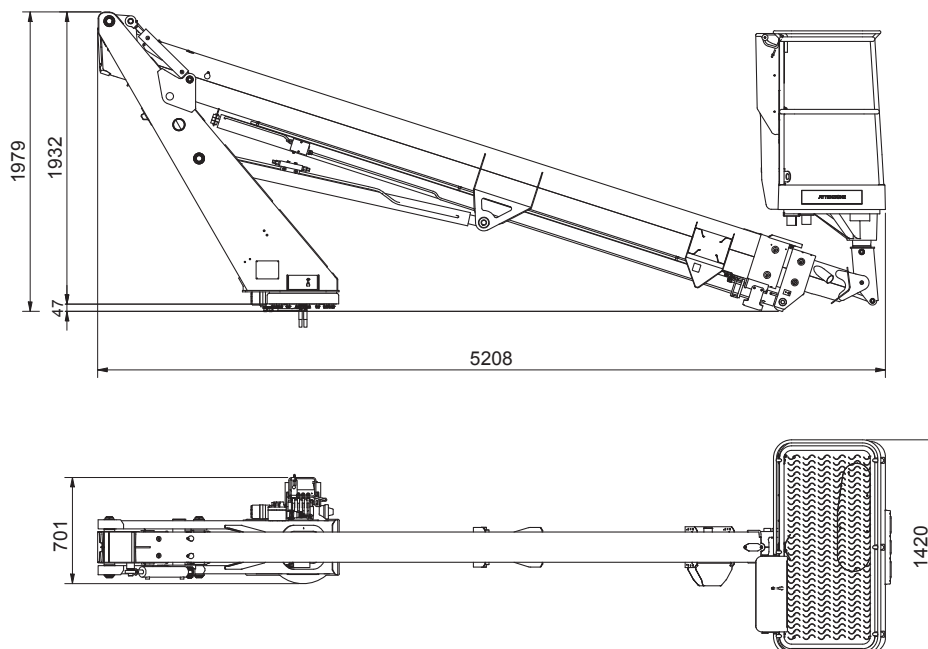
### TECHNICAL DATA

- Telescopic boom  
(3 elements: main boom + 2 telescopic extension)
- $\pm 360^\circ$  turret rotation
- Fully proportional hydraulic controls in the basket
- Hydraulic controls from the ground,  
installed on turntable
- Outreach controlled by an hydraulic limit switch
- Engine start/stop control from the basket
- Aluminium basket or glass filled nylon base
- $60^\circ$  right +  $60^\circ$  left hydraulic rotating basket
- Basket levelling by hydraulic parallelogram
- Emergency manual pump
- Nr. 04 hydraulic outriggers HS type  
(straight down)
- Basket dimension: 1400x700x1100 mm
- Internally installed electrical and hydraulic hoses

### AVAILABLE OPTIONS

- 12V or 24V electric system
- Working light in the basket
- 230V AC electric socket in the basket

### DIMENSIONS



**CTE S.p.A.**

Headquarter 7 Via Caproni - Rovereto (TN) IT, 38068

Ph. +39 0464 48.50.50 - info@ctelift.com - [www.ctelift.com](http://www.ctelift.com)

Factory 5 Loc. Terramatta - Rivoli Veronese (VR) IT, 37010

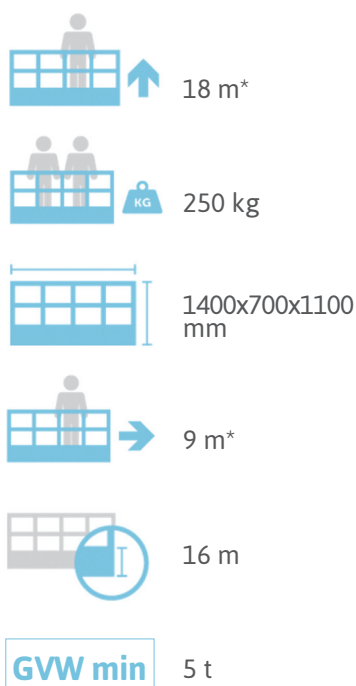
2 Via E. Fermi - Affi (VR) IT, 37010

**CTE UK Ltd** Enderby Leicestershire - UK

# TELESCOPIC TRUCK MOUNTED PLATFORM SPECIFICATION

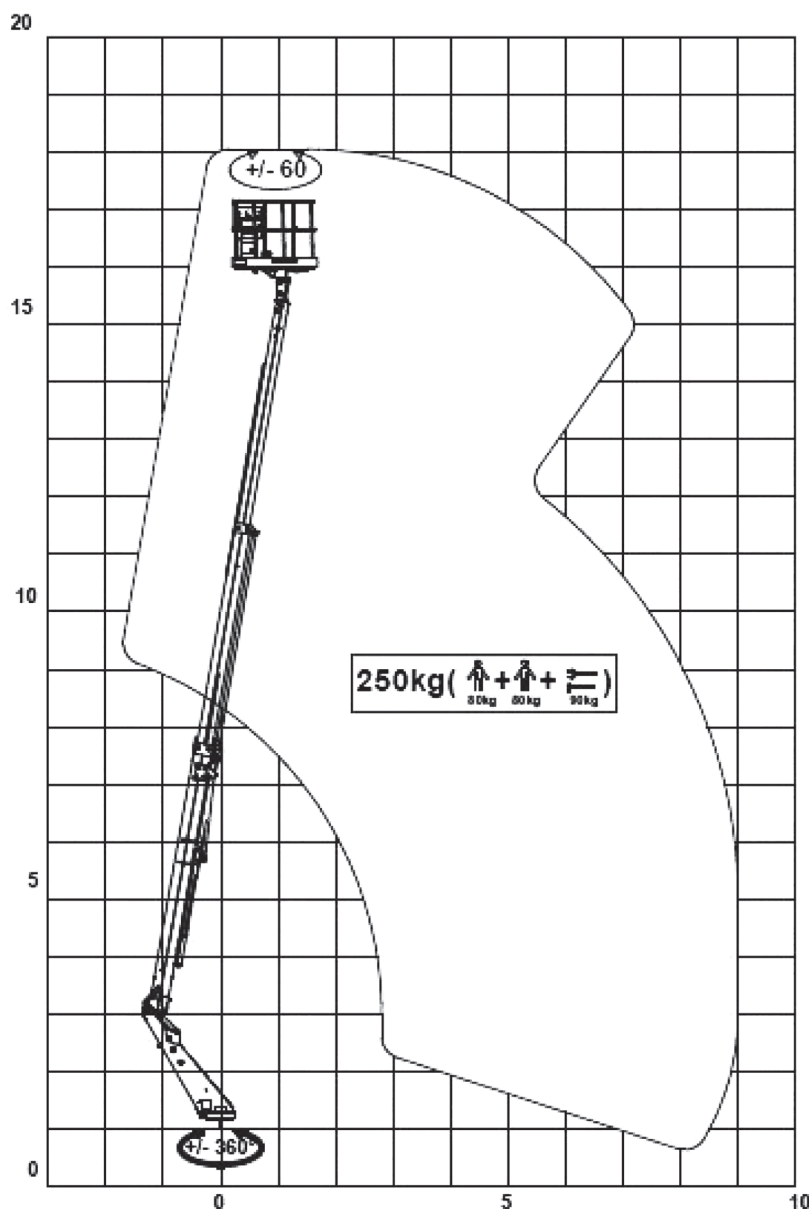
## CTEB-LIFT 187 HY

### PERFORMANCE



\* outreach and height max values and repeatability can change within  $\pm 3\%$  due to manufacturing variation and working condition.

### WORKING ENVELOPE



Product specifications are subject to change without notice or obligation. Technical features and drawings in this brochure are for illustrative purposes only. B-LIFT 187 HY - ed. 04/22



**CTE S.p.A.**

**Headquarter** 7 Via Caproni - Rovereto (TN) IT, 38068  
**Ph.** +39 0464 48.50.50 - info@ctelift.com - [www.ctelift.com](http://www.ctelift.com)  
**Factory** 5 Loc. Terramatta - Rivoli Veronese (VR) IT, 37010  
 2 Via E. Fermi - Affi (VR) IT, 37010

**CTE UK Ltd** Enderby Leicestershire - UK

